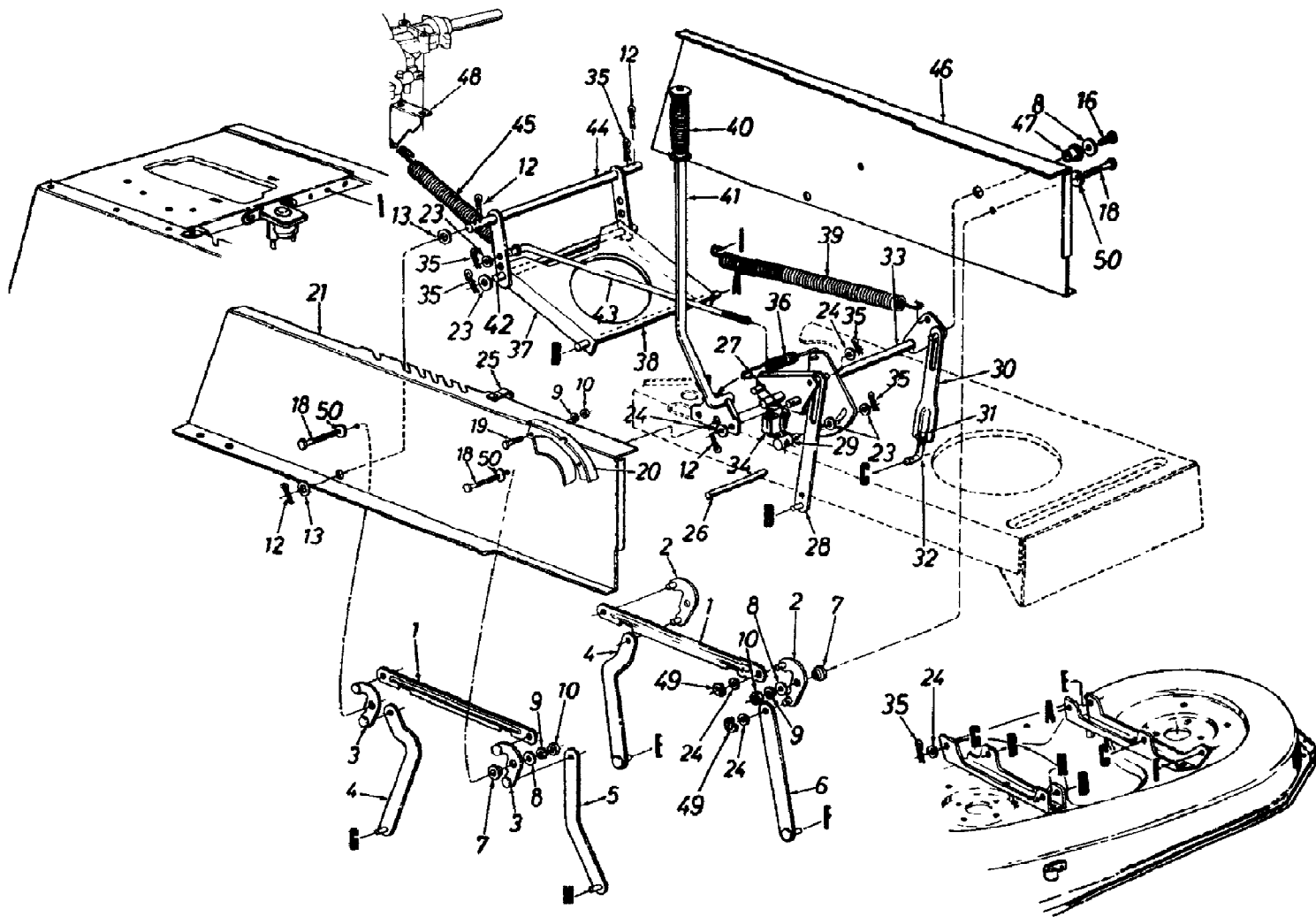


13CP693F190 LT-1450 (2000)
Deck Assembly

Page 2 of 22

Ref #	Part Number	Qty	S/P/F	Description
2	710-1260A	1	/P	Hex Wash. Hd. TT-Tap Scr. 5/16-18 x .75" Lg.
3	683-0129	1	S	38" Deck Ass'y.
	813-6980	1	S	38" Deck Ass'y.
4	783-0343A	1	/P	Belt Guard Deck
7	712-0291	1	S	Hex L-Nut 1/4-20 Thd. Optional
8	710-0258	1	S	Hex Bolt 1/4-20 x .62"
10	711-0792	1	S	Hinge Pin
13	712-0181	1	S	Hex Top L-Nut 3/8-16 Thd.
14	712-3006	1	/P	Hex Nut 1/4-20 Thd. (Gr. 5)
17	734-0973	1	/P	Deck Wheel-5"
18	736-0105	1	/P	Bell-Wash. .40" I.D. x .88" O.D.
22	738-0373	1	S	Shld. Bolt .498" Dia. x 1.53"
23	742-0610	1	S	3 in 1 Blade
26	754-0329A	1	S	V-Belt
27	736-0270	1	/P	Bell-Wash. 1/4" I.D.
28	783-0342	1	S	Brake Disc
?33	710-0157	1	/P	Hex Bolt 5/16-24 x .75" Lg.
35	712-0417A	1	/P	Hex Flange Nut 5/8-18 Thd. Deck pulleys and blade nuts must be torqued to 100 ft. lbs. if removed or replaced.
?37	736-0158	1	S	L-Wash. 5/8" I.D.
39	618-0138	1	S	Blade Spindle Ass'y. Comp. (Incl. Ref. 28, 35, 42)
42	756-0969	1		5" Dia. Pulley Deck pulleys and blade nuts must be torqued to 100 ft. lbs. if removed or replaced.
52	703-1693	1	S	Hinge Mtg. Brkt.
53	732-0602	1	S	Torsion Spring
54	726-0106	1	S	Push Nut
55	731-1032	1	S	Chute Ass'y. Comp. (Incl. Ref. 10, 52, 53, 54, 55)
56	710-0597	1	/P	Hex Bolt 1/4-20 x 1" Lg. Optional
57	712-3087	1	/P	Wing Nut 1/4-20 Thd.
58	731-1643A	1	S	Mulching Plug Optional
59	16606	1	S	Retainer Hook Brkt.
60	712-3027	1	S	Hex Nut 1/4-20 Thd.
61	710-0258	1	S	Hex Bolt 1/4-20 x .62" Lg.
62	736-0173	1	/P	Flat Washer .28 ID x .74 OD



13CP693F190 LT-1450 (2000)
Deck Lift Assembly

Page 4 of 22

Ref #	Part Number	Qty	S/P/F	Description
1	783-0103	1	S	Connecting Rod
2	683-0029A	1	S	Pivot Link Ass'y.-L.H.
3	683-0028A	1		Pivot Link Ass'y.-R.H.
4	17710	1	S	Deck Hanger Link Ass'y.
5	14800A	1	S	Deck Hanger Link Ass'y.
6	14804A	1		Deck Hanger Link Ass'y.
7	748-0331	1	S	Shld. Spacer .318" I.D.
8	736-0264	1	S	FI-Wash. .344" I.D. x .62" O.D.
9	736-0119	1	S	L-Wash. 5/16" I.D.
10	712-3010	1	S	Hex Nut 5/16-18 Thd.
12	714-0470	1	S	Cotter Pin 1/8" Dia.
13	736-0256	1	S	FI-Wash. .635" I.D. x 1.0" O.D.
16	710-0604A	1	/P	Hex Wash. TT-Tap Scr.5/16-18 x .75"
18	710-1238	1	/P	Hex Wash. Hd. Scr. 5/16-18x .875"
19	710-3008	1	/P	Hex Bolt 5/16-18 x .75"
20	783-0118	1		Index Brkt.
21	783-0042B	1	S	Upper Frame-R.H.
23	736-0267	1	S	FI-Wash. .385" I.D. x .87" O.D.
24	736-0160	1	S	FI-Wash. .531" I.D. x .93" O.D.
25	726-0272	1	/P	Clamp
26	738-0526	1		Running Board Rod
27	710-3007	1	/P	Hex Wash. Hd. Tap Scr.
28	14802A	1	S	Link Deck Lift Ass'y.
29	711-0723A	1	S	Adj. Ferrule 3/8-24 Thd.
30	17712	1	S	Adj. Deck Lift Link
31	712-3066	1	S	Hex Nut 1/2-20 Thd.
32	711-0841	1	S	Lift Link Adjuster
33	683-0059	1	S	Lift Shaft Ass'y.
34	725-1657	1	S	Safety Switch (Deck)
35	714-0145	1	S	Inter. Cotter Pin 3/8" Dia.
36	732-0637	1	S	Extension Spring
37	17636C	1	S	Stabilizer Bracket
38	738-0670A	1	/P	Shaft 1/2" Dia. x 10.28"
39	732-0638	1		Extension Spring
40	720-0233	1	S	Grip (Lift Handle)
41	97675A	1	S	Deck Lift Handle Ass'y.
42	738-0669	1		Shaft 3/8" Dia. x 9.34"
43	747-0598	1		Disengagement Rod
44	97624	1	S	Stabilizer Shaft Ass'y.
45	732-0556	1	S	Extension Spring 7.58"
46	783-0043	1	/P	Upper Frame-L.H.
47	741-0313	1	S	Flange Brg. .632" I.D.
48	17128A	1	S	Spring Retainer Brkt.
49	716-0104	1	S	"E"-Ring
50	736-0425	1	S	Bell-Wash. .325" I.D.

13CP693F190 LT-1450 (2000)
Drive & Rear Wheels

Page 6 of 22

Ref #	Part Number	Qty	S/P/F	Description
1	732-0750A	1	S	Spring Switch
2	712-0265	1	/P	Hex Sems Nut 5/16-18 Thd.
4	731-1734	1	S	Index Bracket
5	710-0924	1	/P	Pan Hd. Mach. Scr. 1/4-20 x .75" Lg.
6	710-0599	1	/P	Hex Washer TT-Tap Scr. 1/4-20 x .5"
7	712-0138	1	S	Hex Nut 1/4-28 Thd.
8	736-0329	1	S	L-Wash. 1/4" I.D.
10	710-0642	1	/P	Hex. Bolt 1/4-20 x .75" Lg.
11	783-0310C	1	S	Lower Frame Ass'y.
14	725-1426	1	S	Solenoid
15	736-0222	1	S	Ext. L-Wash. 1/4" I.D.
17	750-0956	1		Spacer
18	756-0983	1	S	Engine Pulley
19	711-1044	1	S	Belt Guard Stud 4.75" Lg.
20	736-0322	1	/P	FI-Wash. 7/16" I.D. x 1.25" O.D.
21	736-0171	1	S	L-Wash. 7/16" I.D.
22	710-3029	1	/P	Hex Bolt 7/16-20 x 1.25" Lg.
23	735-0196	1	S	Foot Pad
24	683-0049	1	S	Brake Lockout Brkt. Ass'y.
26	732-0728	1		Foot Pedal Return Spring
27	738-0296	1	S	Shld. Bolt .437" Dia. x .268"
28	736-0406	1	S	FI-Wash. 7/16" I.D. x 1-3/8" O.D.
29	747-0608A	1	S	Lock-up Rod
30	17755A	1		Bracket
31	736-0119	1	S	L-Wash. 5/16" I.D.
32	712-3010	1	S	Hex Nut 5/16-18 Thd.
33	720-0166	1	/P	Ball Knob
34	732-0727	1	S	Neutral Return Spring
35	712-0273	1	S	Hex Nut 5/16-24 Thd.
36	736-3078	1	/P	FI-Wash. .565 I.D. x 1.12 O.D. x .06
37	783-0092	1		Scissor-Flat
38	736-0414	1	S	FI-Wash. .33" I.D. x 1.25" O.D.
39	750-0808	1	/P	Spacer
40	736-0219	1	S	Bell-Wash. .4" I.D. x 1.13" O.D.
41	761-0196	1	S	Friction Washer
42	750-0918	1		Centering Gauge Spacer
43	783-0095	1		Neutral Return Mtg. Brkt.
44	736-0270	1	/P	Bell-Wash. .265" I.D. x .75" O.D.
45	732-0718	1		Comp. Spring 1.19" Lg.
46	736-3008	1	S	FI-Washer .344 I.D. x .750 O.D. X .120
47	712-3057	1	S	Hex Nut 5/16-24 Thd.
48	710-0299	1		Hex Bolt 1/4-28 x 1" Lg. (Gr. 5)
49	710-1012	1	/P	Rib Neck Bolt 5/16-24 x .84" Lg.
50	783-0093	1		Scissor-Offset
51	747-0887	1		Neutral Return Rod
52	738-0879	1	S	Friction Disc Stud
53	748-0368	1		Shld. Spacer
54	783-0096	1		Neutral Return Lever
55	736-3092	1	/P	FI-Wash. .265" I.D. x 1" O.D.
56	736-0329	1	S	L-Wash. 1/4" I.D.
57	712-0271	1	/P	Hex Nut 1/4-20 Thd.
58	714-0104	1	S	Hairpin Clip
59	736-0185	1	S	FI-Washer .406" I.D. x .750" O.D. X .63

13CP693F190 LT-1450 (2000)
Drive & Rear Wheels

Page 7 of 22

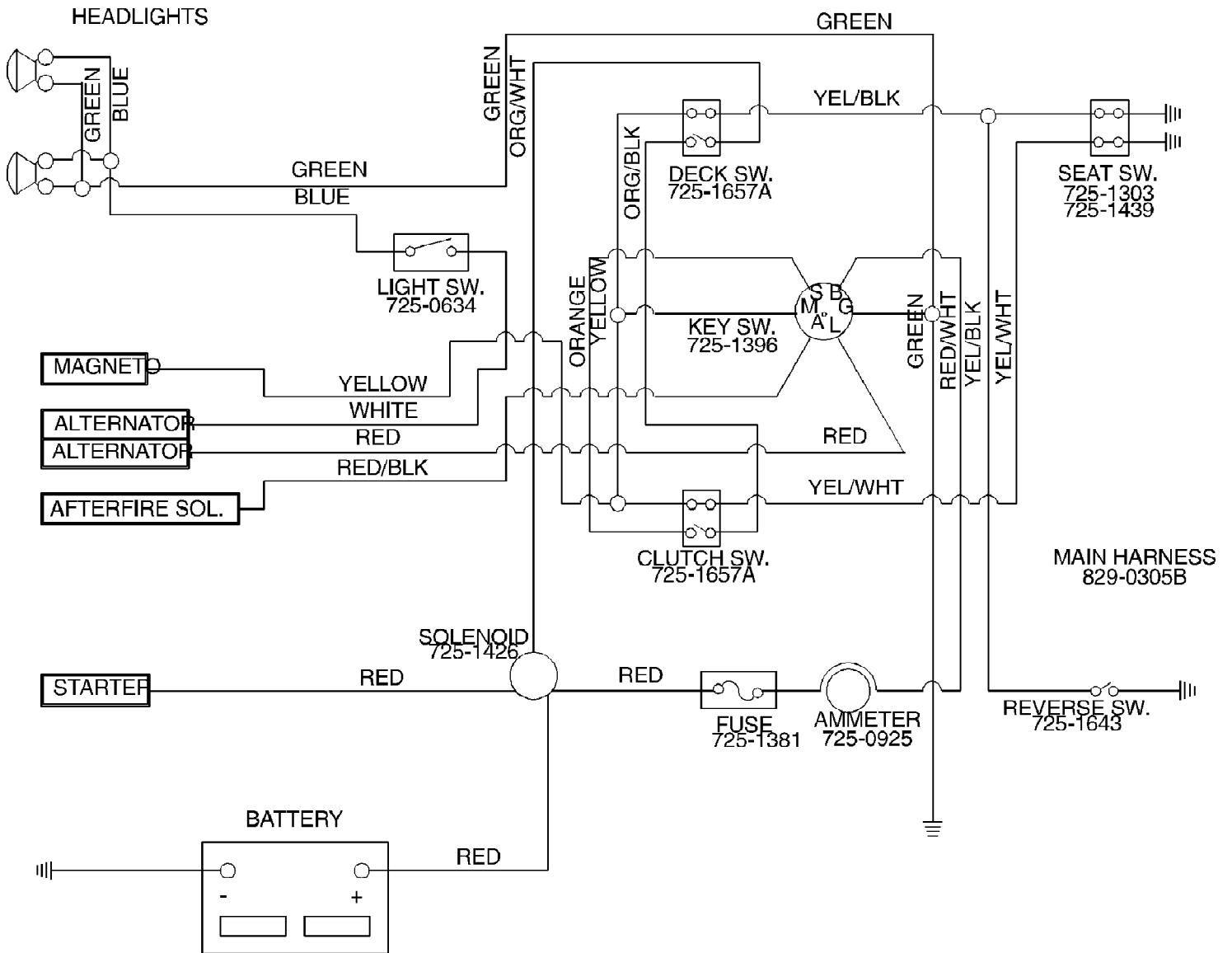
Ref #	Part Number	Qty	S/P/F	Description
60	736-0413	1	/P	Spring Wash. .39" I.D.
61	712-0116	1	S	Hex L-Nut 3/8-24 Thd.
62	712-0711	1	/P	Hex Jam Nut 3/8-24 Thd.
63	783-0090A	1		Neutral Return Brkt.
64	711-0832	1	S	Ferrule 3/8-24 Thd.
65	747-0365	1	S	Control Rod
66	723-0351	1	S	Ball Joint 3/8-24 Thd.
67	748-0234	1	/P	Shld. Spacer .5" Dia. x .27" Lg.
68	736-0159	1	S	FI-Wash. .349" I.D. x .879" O.D.
69	710-1189	1		Hex Tap Scr. #12 x 24 x .82 Lg.
70	731-1449	1	S	Fan
71	712-0333	1	S	Hex Nut 1/2-20 Thd.
72	736-0921	1	S	L-Wash. 1/2" I.D.
73	712-0241	1	/P	Hex Nut 3/8-24 Thd.
74	736-0169	1	S	L-Wash. 3/8" I.D.
75	756-0975	1		Transmission Pulley
76	732-0729	1	/P	Wire Ring
77	754-0441	1	S	"V"-Belt
78	756-0981	1	S	FI-Idler Pulley 2.75" O.D.
79	720-0238	1		Rod End Grip
80	747-0894	1		Bypass Control Lever
81	783-0085	1	S	Transaxle Support Brkt.-L.H.
82	710-0528	1	/P	Hex Bolt 5/16-18 x 1.25" Lg.
83	732-0384	1	S	Ext. Spring 6.12
84	683-0051	1	S	Idler Brkt. Ass'y.
85	710-0395	1	/P	Hex Bolt 5/16-18 x 2.25" Lg.
86	710-0376	1	/P	Hex Bolt 5/16-18 x 1.00" Lg.
87	748-0234	1	/P	Shld. Spacer .5" Dia. x .27" Lg.
88	783-0086A	1	S	Transaxle Support Brkt.-R.H.
89	747-0886	1		Brake Rod 24.94" Lg.
90	732-0716	1	S	Ext. Spring
91	747-0893	1		Bypass Actuator Rod
92	736-0142	1	S	FI-Wash. .281" I.D. x .5" O.D.
93	783-0098	1		Bypass Adjustment Brkt.
94	736-0222	1	S	External L-Wash. 1/4" I.D.
95	731-1086A	1	/P	Sleeve .758" I.D. x 1" O.D.
96	710-0604A	1	/P	Hex. TT-Tap Scr. 5/16-18 x .62"
97	17994	1	S	Retainer Brkt.-Transaxle
98	710-0176	1	/P	Hex Bolt 5/16-18 x 2.75" Lg.
100	710-0888	1	/P	Hex Bolt 5/16-24 x 1" Lg. (Special)
101	710-0224	1	S	Hex Wash. Hd. AB-Tap Scr. #10 x .5" Lg.
107	647-0008A	1	/P	Speed Control Lever Ass'y.
108	17668	1	S	Axle Support Brkt.-R.H.
	17669	1	S	Axle Support Brkt.-L.H. (Not Shown)
109	732-0433	1		Ext. Spring 2.75" Lg.
110	736-0141	1	S	Spr-Wash. .445" I.D. x .75" O.D.
111	17840	1	S	Transaxle Mtg. Brkt.
112	725-1657A	1	S	Safety Switch (Clutch)
115	710-1238	1	/P	Hex Hd. Wash. 5/16-18 x .875"
116	683-0123	1		Clutch/Brake Pedal Ass'y.
117	750-0802	1		Spacer .63" I.D.
118	17860	1	S	Pedal Bracket
119	736-3008	1	S	FI-Wash. .349" I.D. x .879" O.D.

13CP693F190 LT-1450 (2000)
Drive & Rear Wheels

Page 8 of 22

Ref #	Part Number	Qty	S/P/F	Description
120	714-0111	1	S	Cotter Pin 3/32" Dia.
121	714-0470	1	S	Cotter Pin 1/8" Dia.
122	736-0140	1	S	Fl-Wash. .385" I.D. x .62" O.D.
123	710-0227	1	/P	Hex AB-Tap Scr. #8 x .5" Lg.
124	726-0320	1	S	Insulator Nut Plate
125	725-1713	1		Spring Switch
126	725-1399	1		Extension Wire
127	710-0520	1	/P	Hex Bolt 3/8-16 x 1.5" Lg.
128	756-0116	1	S	Idler Pulley
?129	736-0280	1		Fl-Wash. .39" I.D.
130	712-3017	1	S	Hex Nut 3/8-16 Thd.
131	720-0218	1	/P	Shift Knob
133	731-1481	1		Vent Cap
134	731-1480	1	/P	Plastic Vent
135	726-0324	1	S	Clamp
136	721-0330	1		"O"-Ring
137	731-1485	1		Hose Fitting
138	751-0588-20	1		Fuel Line 20" Lg.
139	710-0627	1	/P	Hex Bolt 5/16-24 x .75" Lg.
140	736-0242	1	/P	Bell-Wash. .345" I.D. x .88" O.D.
141	734-0255	1	S	Air Valve
142	634-0070	1	/P	Rim Only
143	734-1675	1		Wheel Ass'y. Comp.
	734-1596	1		Tire Only
144		1		UNKNOWN
145		1		UNKNOWN
146	783-0099	1		Idler Bracket
147	710-1315	1	/P	Hex TT-Tap Scr. 3/8-16 x 1.25"
149	736-0256	1	S	Fl. Wash. .635 x .930
150	17962	1		Switch Plate
151	712-0271	1	/P	Nut 1/4-20
152	714-0124	1		Cotter Pin
153	726-0272	1	/P	Clamp
154	783-0122	1		Reinforcement Bracket

13CP693F190 LT-1450 (2000)
Electrical

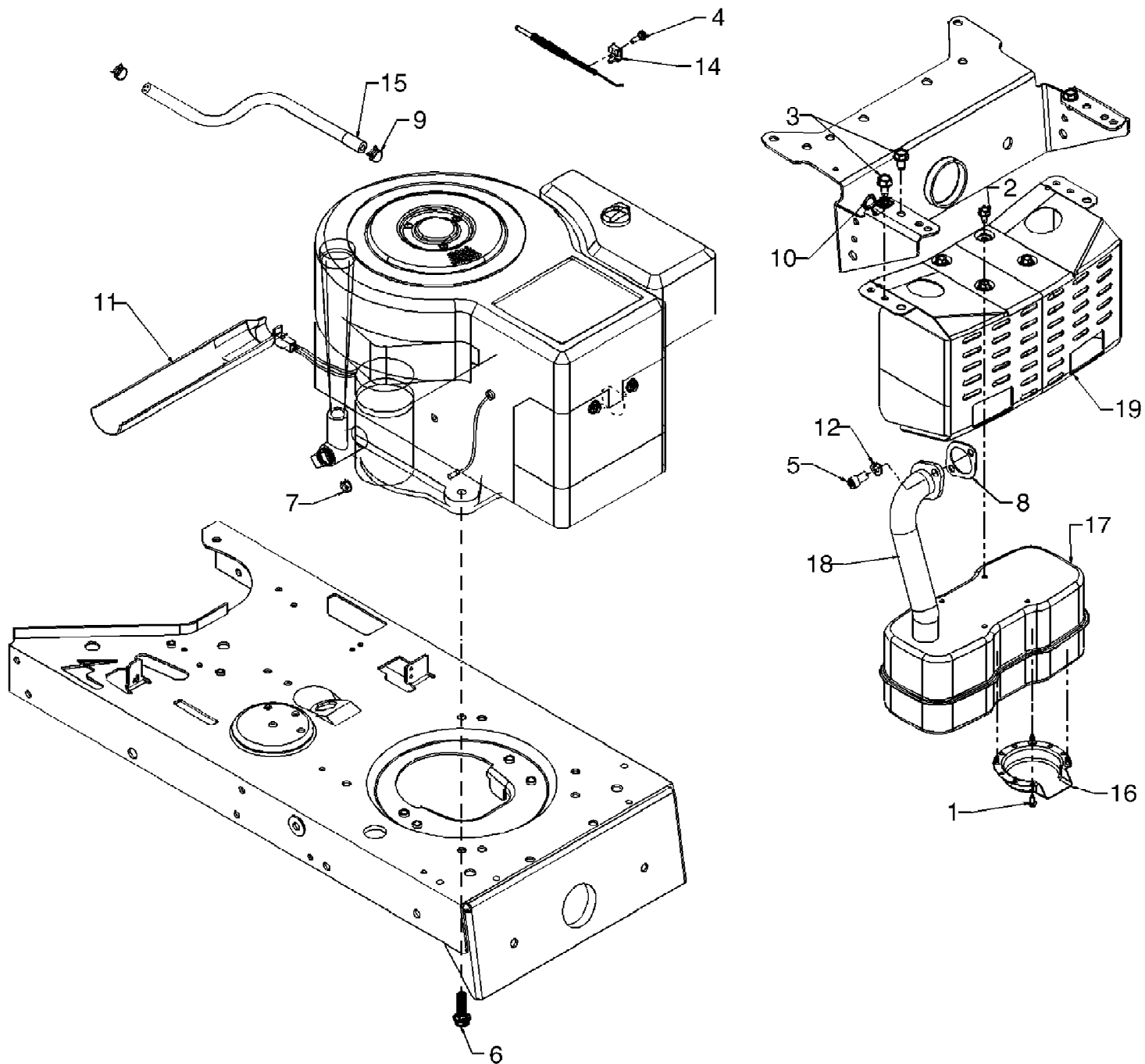


13CP693F190 LT-1450 (2000)
Electrical

Page 10 of 22

Ref #	Part Number	Qty	S/P/F	Description
7250634	725-0634	1	S	Light Sw.
7251426	725-1426	1	S	Solenoid
7251381	725-1381	1	S	Fuse
7250925	725-0925	1	S	Ammeter
7251643	725-1643	1		Reverse Sw.
7251439	725-1439	1		Seat Sw.
7251303	725-1303	1	S	Seat Sw.
7251396	725-1396	1	S	Key Sw.
7251657A	725-1657A	2	S	Deck Sw.
8290305B	829-0305B	1		Main Harness

13CP693F190 LT-1450 (2000)
Engine Accessories

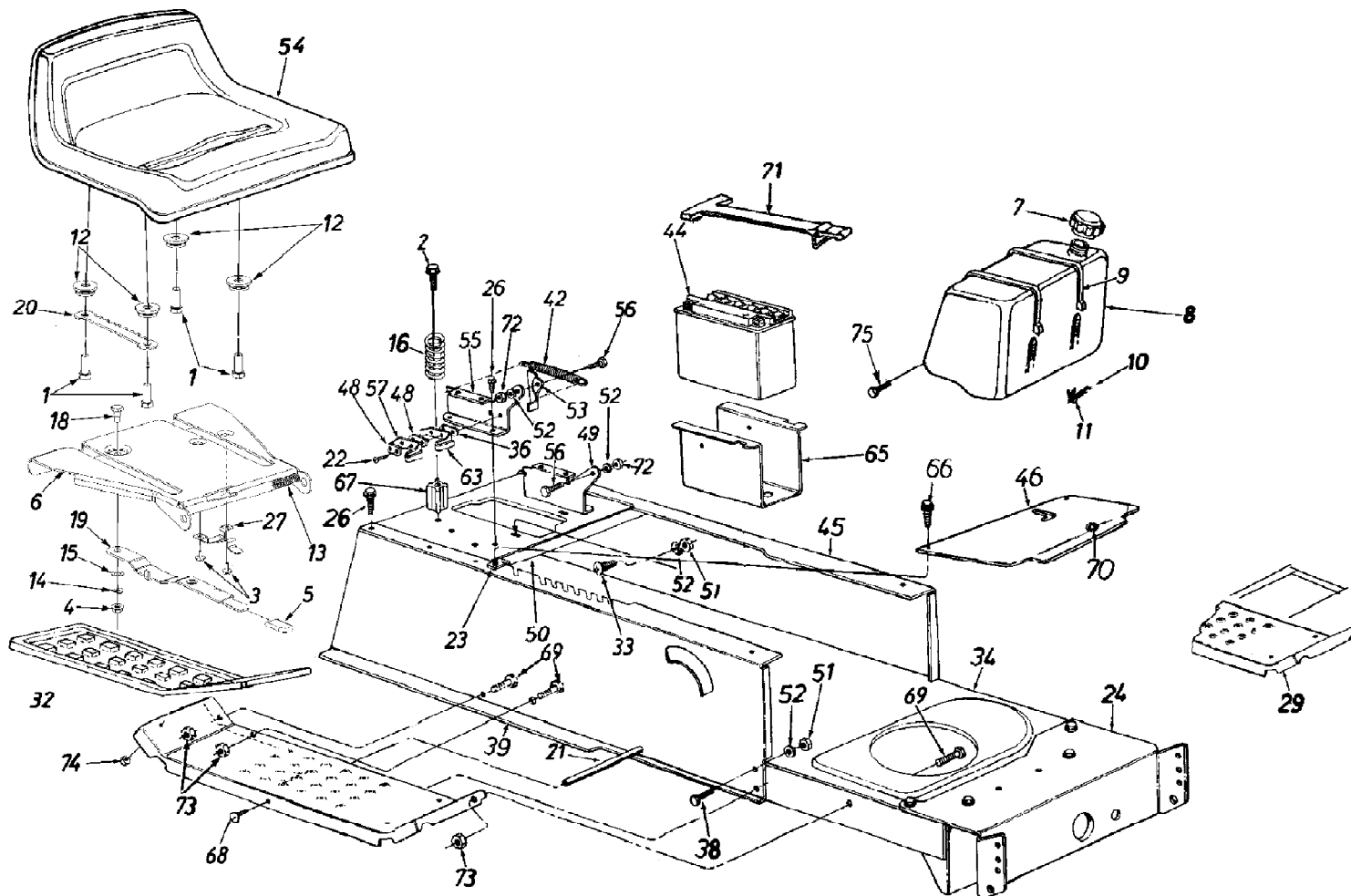


13CP693F190 LT-1450 (2000)
Engine Accessories

Page 12 of 22

Ref #	Part Number	Qty	S/P/F	Description
1	710-0148	1	/P	Hex Slot Scr. #8-32 x .38" Lg.
2	710-0599	1	/P	Hex Wash. TT-Tap Scr. 1/4-20 x .5" Lg.
3	710-0604A	1	/P	Hex Wash Hd. TT-Tap Scr. 5/16-18 x .62"
4	710-1237	1		Scr. #10-32:.620 Hx. Slot Wash.
5	710-1314	1	S	Socket Hd. Bolt 5/16-18 x .62" Lg.
6	710-1315	1	/P	Scr. 3/8-16 x 1.25
7	712-0271	1	/P	Nut, Hex 1/4-20
8	721-0208	1	S	Exhaust Gasket
9	726-0205	1	/P	Hose Clamp .49 Dia.
10	726-0272	1	/P	Clamp 9/16 Dia.
11	731-1682A	1	/P	Oil Drain Sleeve
12	736-0119	1	S	L-Wash. 5/16" I.D.
14	751B213146	1	/P	Casing Clamp, Throttle, B&S
15	751-0535-13	1	S	Fuel Line Hose
16	751-0564	1	S	Muffler Deflector
17	751-0617	1	S	Muffler
18	751-0619	1	S	Exhaust Pipe
19	783-0615	1	S	Muffler Heat Shield

13CP693F190 LT-1450 (2000)
Fuel Tank, Battery, Seat, Frame



13CP693F190 LT-1450 (2000)
Fuel Tank, Battery, Seat, Frame

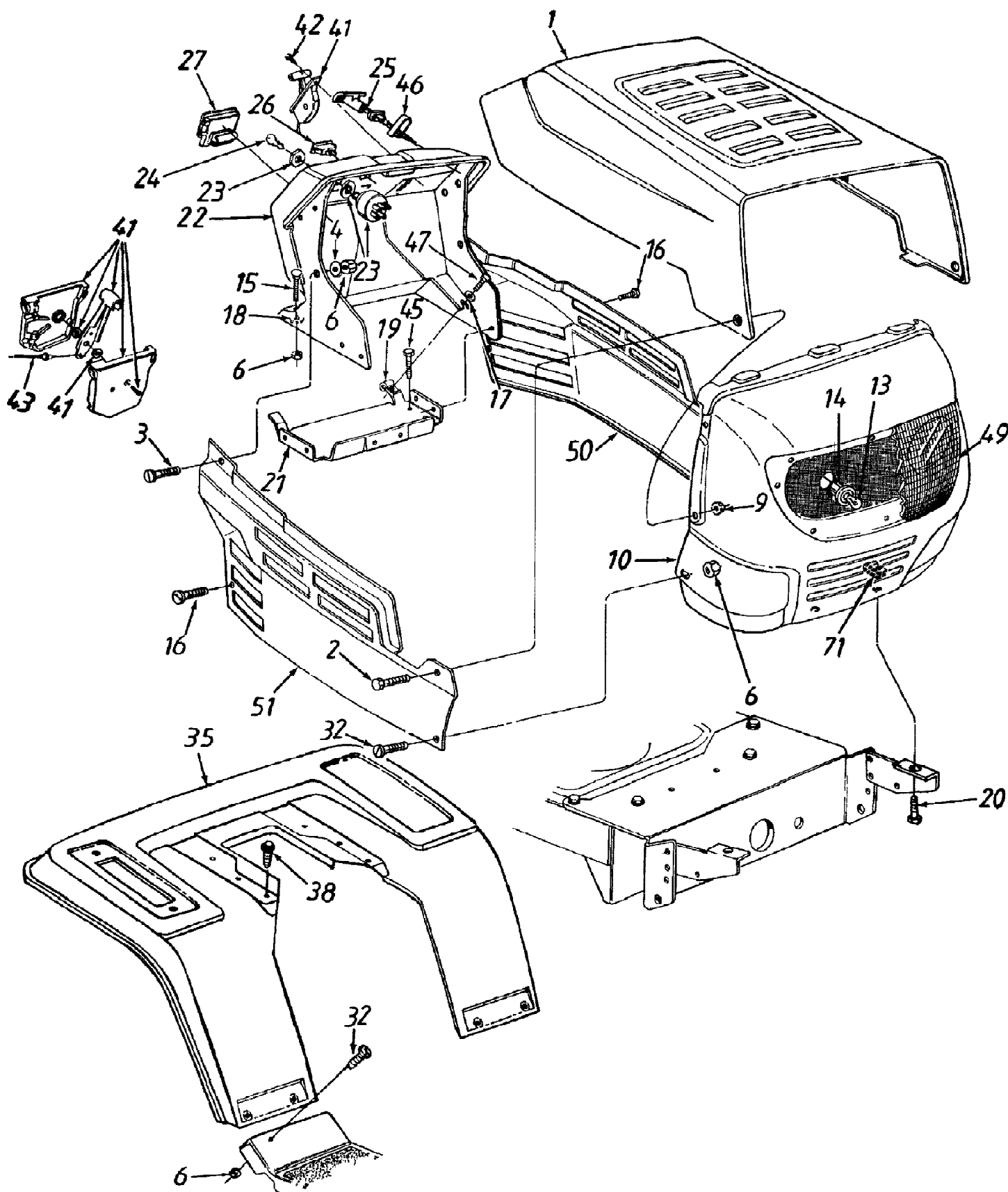
Page 14 of 22

Ref #	Part Number	Qty	S/P/F	Description
1	738-1007	1		Shoulder Screw 3/8-16 x .5
2	710-1208	1	/P	Hex Washer Tap Scr. 5/16-18 x 3.25"
3	710-1268	1	/P	Hx Scr. B-Tap Wash. #10-16: .38 Lg.
4	712-3027	1	S	Lock Nut 1/4-20
5	720-0309A	1	/P	Grip
6	783-0607A	1	S	Seat Pivot Bracket
7	751-0603	1	S	Fuel Cap
8	751-0657	1		Fuel Tank
	749-0934	1		Fuel Tank Support Rod (Not Shown)
9	726-0209	1	/P	Tie Strap
10	751-0535-15	1	S	Fuel Line
11	726-0205	1	/P	Hose Clamp
12	731-1989	1		Seat Spacer
13	732-0499	1		Compression Spring
14	736-0175	1	S	Wash. Spring .265 x .562 x .025
15	736-0204	1	/P	Fl. Wash. .344 ID x .62 OD x .03
16	732-0735	1	/P	Compression Spring
18	738-0137A	1	S	Shldr. Scr. .340 x .285 - 1/4-20
19	783-0609	1		Seat Lever
20	783-0753	1		Seat Selector
21	738-0526	1		Running Board Rod
22	710-0227	1	/P	Hex AB-Tap Scr. #8 x .50"
23	726-0139	1	/P	Speed Nut #10Z
24	783-0041B	1	/P	Front Pivot Brkt.
26	710-0726	1	/P	Hex Washer AB-Tap Scr. 5/16 x .75"
27	783-0611	1		Seat Stop
29	17770D	1	S	Running Board (R.H. & L.H.)
32	731-0909	1	S	Rubber Foot Pad-L.H.
	731-0910	1	S	Rubber Foot Pad-R.H.
33	710-0323	1	/P	Truss Mach. Scr. 5/16-18 x .75"
34	783-0310C	1	S	Lower Frame
36	726-0278	1		Insulator Boss Plate
38	710-3008	1	/P	Hex Bolt 5/16-18 x .75" Lg.
39	783-0042A	1	S	Upper Frame-R.H.
42	732-0581B	1	S	Extension Spring 5.31" Lg.
44	725-1750	1	S	12-V Battery
45	783-0043	1	/P	Upper Frame-L.H.
46	783-0133B	1	/P	Shift Cover
48	726-0279	1		Insulator Plate
49	17951A	1	S	Seat Pivot Brkt. Support-L.H.
50	783-0355A	1	/P	Hitch Plate
51	712-3010	1	S	Hex Nut 5/16-18 Thd.
52	736-0119	1	S	L-Wash. 5/16" I.D.
53	17239A	1	S	Seat Lift Brkt.
54	757-0360A	1	S	Seat
55	17950A	1	S	Seat Pivot Brkt. Support-R.H.
56	738-0296	1	S	Shld. Bolt .437" Dia. x .268"
57	725-1303	1	S	Spring Switch
63	725-1439	1		Safety Switch (Seat)
65	783-0345	1	S	Battery Tray
66	710-0351	1	/P	Truss Mach. B-Tap Scr. #10 x .5"
67	748-0347	1	S	Spring Spacer
68	710-0323	1	/P	Truss Mach. Scr. 5/16-18 x .75"

13CP693F190 LT-1450 (2000)
Fuel Tank, Battery, Seat, Frame

Page 15 of 22

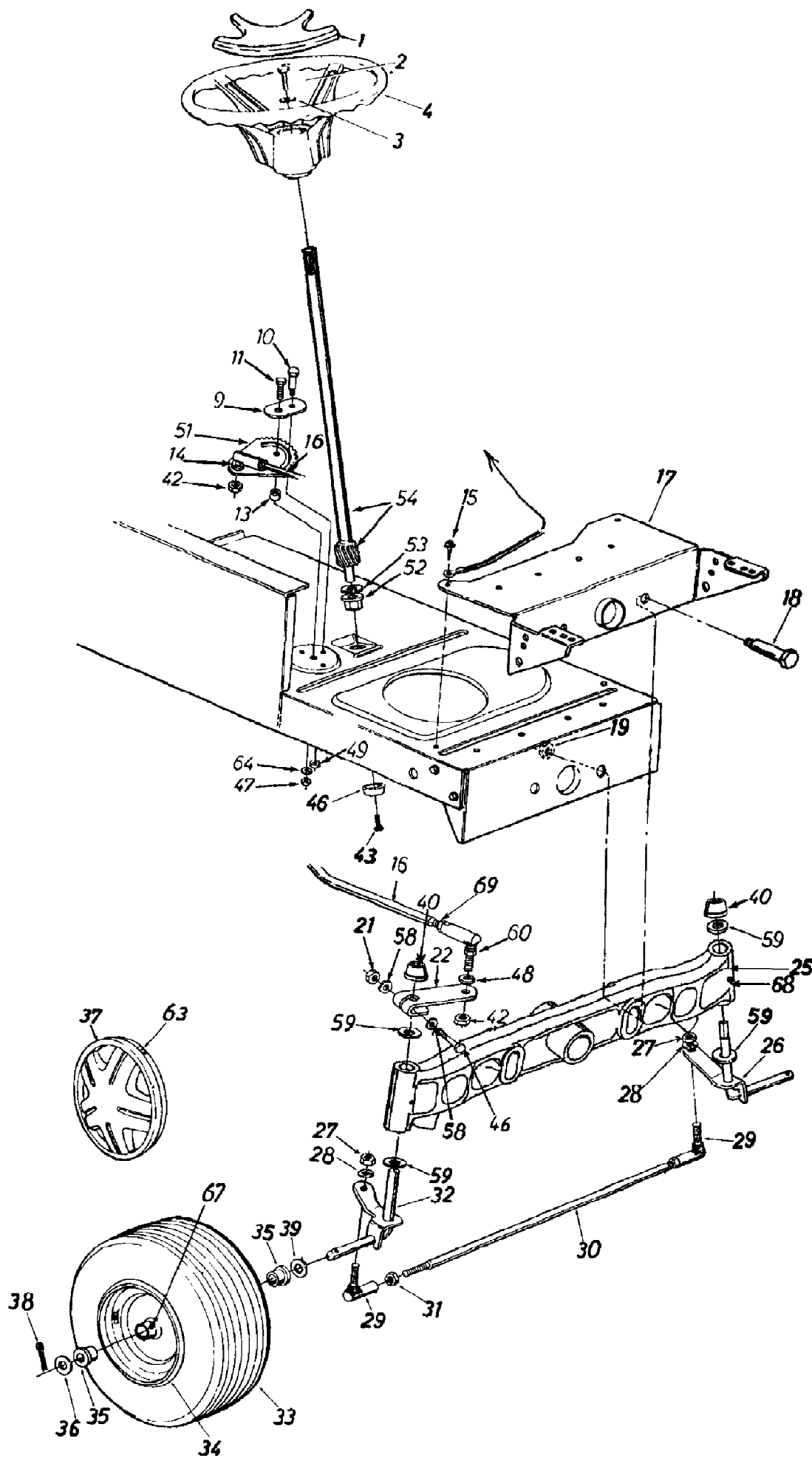
Ref #	Part Number	Qty	S/P/F	Description
69	710-3008	1	/P	Hex Bolt 5/16-18 x .75"
70	731-0405	1		Snap Bushing
71	723-3064	1		Battery Retainer Strap
72	712-3010	1	S	Hex Nut 5/16-18 Thd.
73	712-0265	1	/P	Hex Sems Nut 5/16-18 Thd.
74	712-0271	1	/P	Hex Sems Nut 1/4-20 Thd.
75	710-1189	1		Hex Screw 12-24 x .62
?76	747-1216	1		Stop Rod



13CP693F190 LT-1450 (2000)
Hood & Fender

Page 17 of 22

Ref #	Part Number	Qty	S/P/F	Description
1	783-0250	1		Hood
2	738-0952	1	S	Shld. Bolt .375" Dia. x .125" Lg.
3	710-0924	1	/P	Scr. 1/4-20 x .75
4	736-0342	1		Wash. .283 x .030
6	712-0271	1	/P	Hex Sems Nut 1/4-20 Thd.
9	712-3027	1	S	Flange L-Nut 1/4-20 Thd.
10	783-0156A	1		Grille
13	725-0963	1	S	Lamp
14	725-1651	1	S	Socket
15	710-0703	1	/P	Carriage Bolt 1/4-20 x .75" Lg.
16	710-0599	1	/P	Hex Washer TT-Tap Scr.1/4-20 x .5"
17	736-0173	1	/P	FI-Wash. .281" I.D. x .73" O.D.
18	726-0233	1	/P	Bolt Retainer 1/4" I.D.
19	712-0185	1		Speed Nut 1/4-20
20	710-0118	1	S	Hex Bolt 5/16-18 x .75" Lg.
21	17632A	1	S	Gas Tank Support Brkt.
22	731-1692	1		Dash w/Ammeter Hole
23	725-1396	1	S	Ignition Switch
24	725-0201	1	S	Ignition Key
25	746-0616A	1	S	Choke Control
26	725-0634	1	S	Light Switch
27	725-0925	1	S	Ammeter
32	710-0286	1	/P	Truss Mach. Scr. 1/4-20 x .5" Lg.
35	783-0350	1		Fender
38	710-0726	1	/P	Hex Wash. Hd. AB-Tap Scr.5/16 x .75"
41	831-0823A	1	/P	Throttle Box Ass'y.
42	710-0779A	1	/P	Truss Mach. AB-Tap Scr.#10 x .5" Lg.
43	746-0776	1	S	Throttle Control Wire
45	710-0607	1	/P	Hex Wash. Hd. B-Tap Scr.5/16-18 x .5"
46	17782	1		Choke Retainer
47	710-0642	1	/P	Hex TT-Tap Scr. 1/4-20 x .75" Lg.
49	731-1503A	1	S	Lens
49	726-04077	1		Nut, Push 3/32
50	783-0151A	1		Side Panel-L.H.
51	783-0150A	1	S	Side Panel-R.H.
71	726-0211	1	S	U-Nut 5/16-18 Thd.



13CP693F190 LT-1450 (2000)
Steering, Front Wheels & Axle

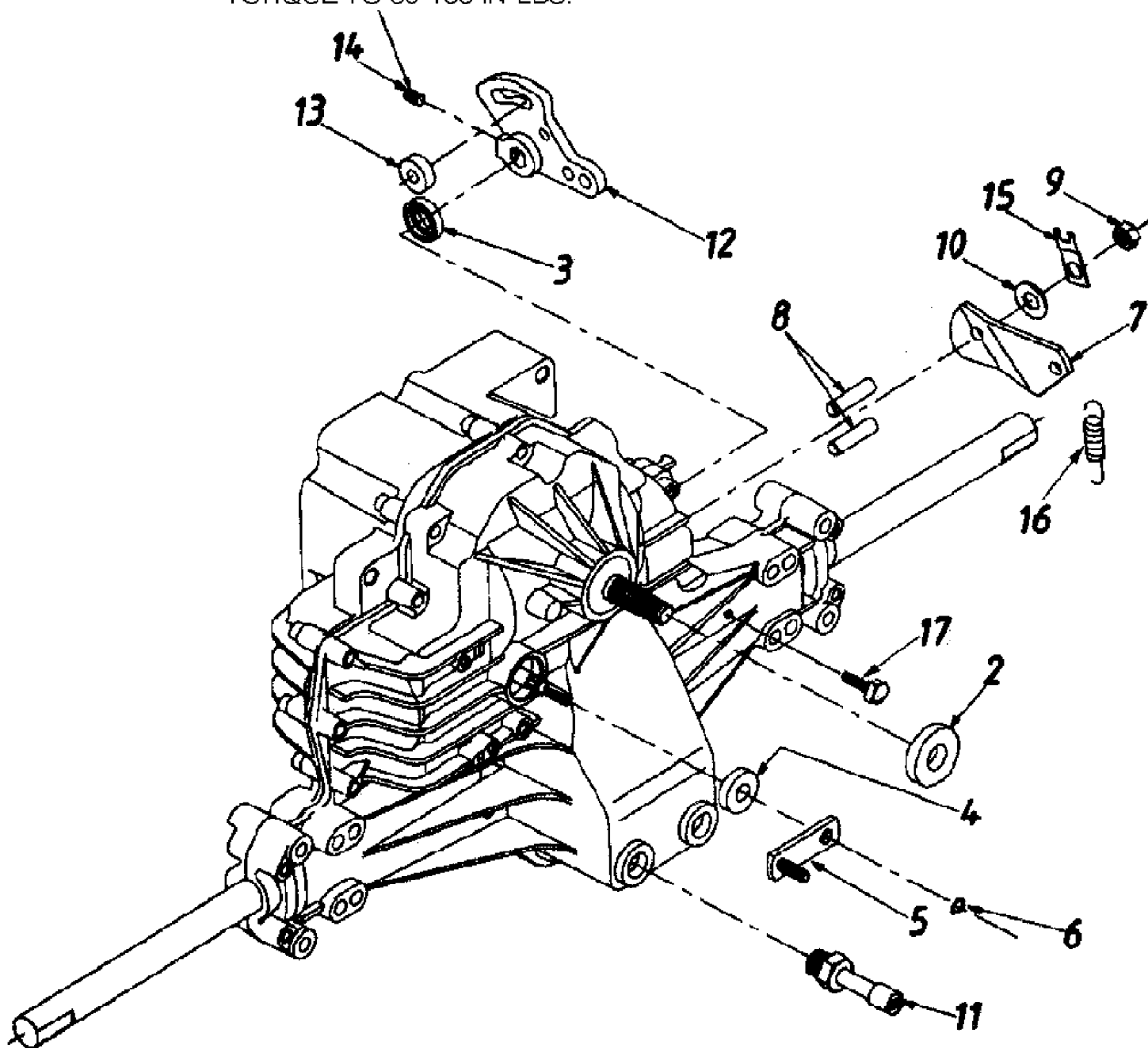
Page 19 of 22

Ref #	Part Number	Qty	S/P/F	Description
1	731-1509A	1	/P	Steering Wheel Cap
2	710-0643	1	/P	Hex Bolt 5/16-18 x 1" Lg.
3	736-0242	1	/P	Belleville Wash. .345" I.D.
4	731-1686	1	S	Steering Wheel
?5	731-0954	1	S	Steering Bellow-9"
9	17198A	1	S	Retainer Plate
10	738-0141	1	S	Shld Bolt .437" Dia. x.35 Lg. 5/16-18
11	710-0152	1	S	Hex Bolt 3/8-24 x 1.0" Lg. (Gr. 5)
13	750-0535	1	S	Spacer .380" I.D. x .625" O.D. x .227
14	736-0217	1	S	L-Wash. 3/8" I.D. (H.D.)
15	710-0726	1	/P	Hex Wash. Hd. Self-Tap Scr.
16	711-1107	1	S	Steering Drag Link
17	783-0041B	1	/P	Front Pivot Brkt.
18	738-0527	1	S	Shld Bolt .498" Dia. x 2.04 Lg. 3/8-16
19	712-0431	1	S	Flanged L- Nut 3/8-16 Thd.
21	712-0411	1	S	Hex L-Nut 5/16-24 Thd.
22	16481A	1	S	Steering Arm Front Axle
?23	710-0772	1	/P	Hex Bolt 5/16-24 x 2.00" Lg. (Gr.5)
?24	741-0659	1	S	Hex Flg. Brg. .632 I.D.
25	683-0128A	1	S	Pivot Bar Ass'y.
26	683-0127	1	S	Front Axle Ass'y.-L.H.
27	712-0241	1	/P	Hex Nut 3/8-24 Thd.
28	736-0169	1	S	L-Wash. 3/8" I.D.
29	723-3018	1	S	Ball Joint 3/8-24 Thd.
30	747-0753	1		Tie Rod (Adjustable)
31	712-0711	1	/P	Hex Jam Nut 3/8-24 Thd.
32	683-0126	1	S	Front Axle Ass'y.-R.H.
33	634-0059	1		Wheel Ass'y. Comp.
	734-0864	1	/P	Tire Only
	734-0255	1	S	Air Valve
34	634-0051	1	S	Front Wheel Rim Only
35	741-0569	1	S	Bearing
36	736-0285	1	/P	FI-Wash. .635 I.D. x 1.59" O.D.
37	731-0484A	1	S	Front Wheel Hub Cap
38	714-0470	1	S	Cotter Pin 1/8" Dia. x 1.25"
39	736-0366	1	/P	FI-Wash.5/8" x 1.004 x .120
40	726-0214	1	/P	Push Cap 5/8" Dia. Rod
42	712-0262	1	/P	Hex Jam Nut 3/8-24 Thd.
43	710-1309	1	/P	Hex Patch Bolt 5/16-18 x .62"
46	748-0389	1	S	Cap
47	712-0214	1	S	Hex Cent. L-Nut 3/8-24 Thd.
48	736-0217	1	S	L-Wash. 3/8" I.D.
49	712-0158	1	S	Hex Cent. L-Nut 5/16-18 Thd.
51	717-0622A	1	S	Steering Gear Segment
52	741-0656	1	S	Hex Flg. Brg. .634 I.D.
53	736-0187	1	/P	FI-Wash. (Hardened)
54	738-0919	1	S	Steering Shaft
58	736-0271	1	S	Wave-Wash. .32" I.D. x .62" O.D.
59	736-0187	1	/P	FI-Wash. (Hardened)
60	723-0448A	1	S	Drag Link Ball Joint 3/8-24 Thd.
63	727-0425A	1	S	Spring Clip
64	736-0356	1	S	Bell-Wash. .39" I.D. x 1.38" O.D.
?65	731-1291A	1	S	Hub Cap (Optional); Not Shown

13CP693F190 LT-1450 (2000)
Steering, Front Wheels & Axle

Ref #	Part Number	Qty	S/P/F	Description
67	737-0280	1	S	Grease Fitting
?68	737-3000	1	S	Grease Fitting
69	712-0240	1	S	Jam Nut 7/16-20

TORQUE TO 80-100 IN-LBS.



13CP693F190 LT-1450 (2000)
Transmission

Page 22 of 22

Ref #	Part Number	Qty	S/P/F	Description
?1	718-0255A	1	S	Transmission Comp.
2	HG-9008000-0128	1	/P	Seal-Lip
3	HG-9008000-0126	1	/P	Seal-Lip
4	HG-45074	1	/P	Seal-Lip 10X25X7
5	HG-50126	1		Arm-Bypass
6	HG-44870	1		Ring-Retaining
7	HG-44094	1	/P	Arm-Actuating
8	HG-44891	1	/P	Pin-Actuating
9	HG-50108	1	S	Nut-Hex Lock 5/16-24 UNJC
10	HG-44130	1	S	Washer 7/16" x 7/8" x .06"
11	HG-50042	1		Breather Ass'y.
12	HG-45007	1	/P	Arm-Control
13	HG-50034	1		Puck-Dampener
14	HG-50018	1		Set Screw Torque to 80-100 IN-LBS
15	HG-50129	1		Strap, Locking
16	HG-50384	1	/P	Spring, Extension
17	HG-50653	1	/P	Self Tapp. Scr. #10-.325 x .5"